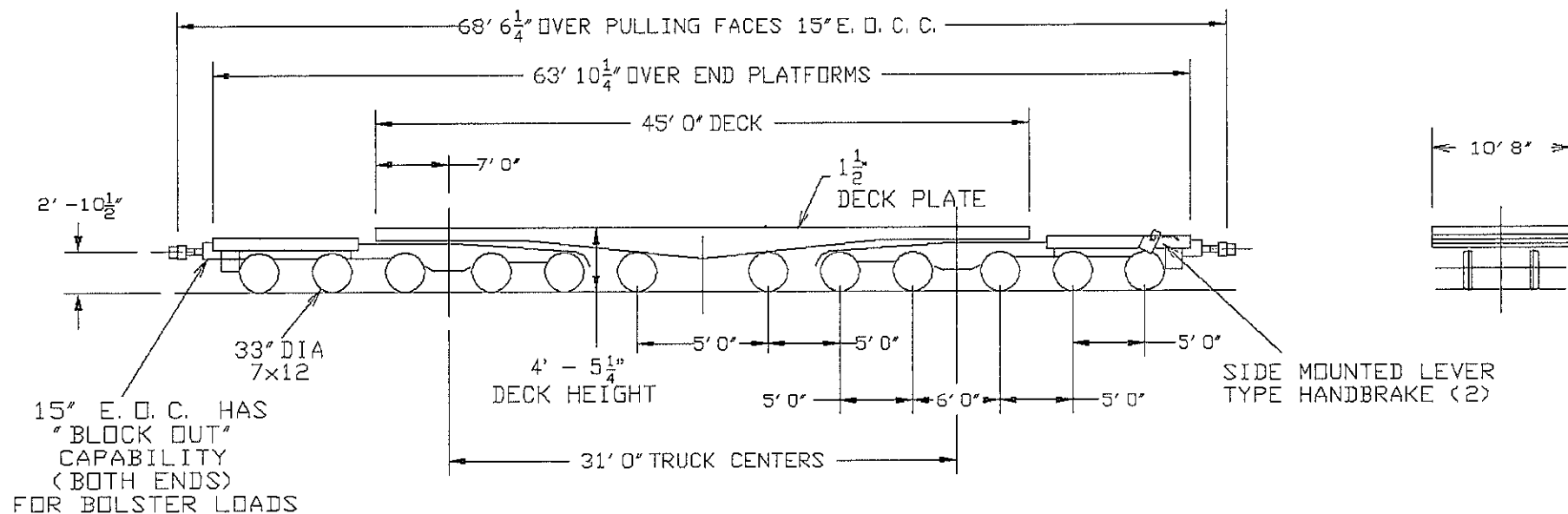


4' - 5 1/4" DECK HEIGHT ABOVE RAIL IS MEASURED AT CENTER OF CARBODY, INCLUDING CAMBER, WITH A LOAD EQUAL TO 50% OF LOAD LIMIT UNIFORMLY DISTRIBUTED OVER FULL LENGTH OF LOAD DECK.



CLASS	CAR SERIES	AVERAGE LOAD LIMIT LBS	AVERAGE LIGHT WEIGHT LBS
DSH45A	131107-131109	743,900	201,100
HSH45A	131110-131127	744,300	200,700

CAR NUMBERS QTTX 131107-131127



TTX COMPANY
CHICAGO, ILLINOIS

370 TON, 45 FOOT DECK
FLAT CAR

CAR WILL CARRY A CONCENTRATED LOAD AT THE CENTER OF THE CAR EQUAL TO THE LOAD LIMIT

- CENTER OF GRAVITY - EMPTY = 32" ATR
- CLEARANCE PROFILE WITHIN AAR PLATE 'B'
- TRUCKS HAVE D3, D5 D6A SPRINGS

CLASS	DATE	REV	
DSH45A & HSH45A	06-19-09	E	11076