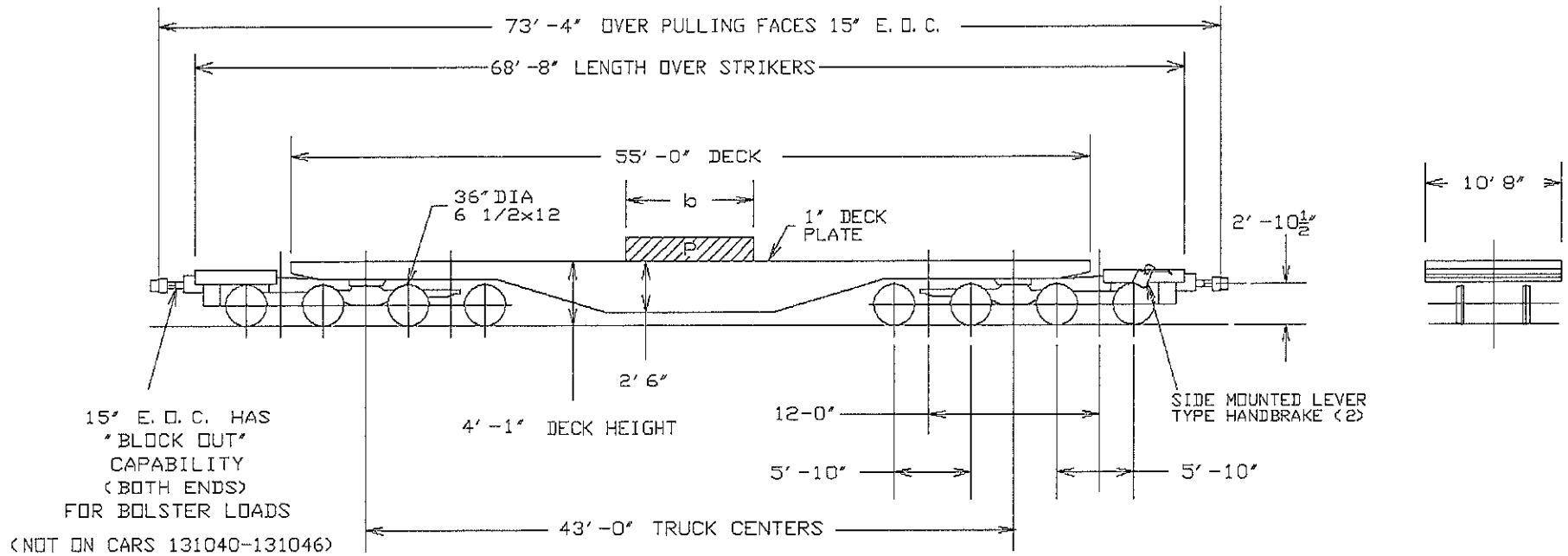


4'-1" DECK HEIGHT ABOVE RAIL IS MEASURED AT CENTER OF CARBODY, INCLUDING CAMBER, WITH A LOAD EQUAL TO 50% OF LOAD LIMIT UNIFORMLY DISTRIBUTED OVER FULL LENGTH OF LOAD DECK.



MAXIMUM WEIGHT OF PARTIAL LENGTH LOADS

LOAD LENGTH (FT) (b)	LOAD (1000 LBS) (P)
0	315.0*
2	319.0
4	327.0
6	335.0
8	343.5
10	352.5
12	362.0
14	372.0
16	383.0
18	394.0
19 & OVER	LOAD LIMIT

*MAX. CONCENTRATED LOAD

-CENTER OF GRAVITY - EMPTY = 33.3" ATR
 -CLEARANCE PROFILE WITHIN AAR PLATE 'C'

CAR SERIES	AVERAGE LOAD LIMIT LBS	AVERAGE LIGHT WEIGHT LBS
131025-131034	393,400	132,600
131035-131039	394,400	131,600
131040-131046	394,500	131,500
AVERAGE	394,000	132,000

CAR NUMBERS QTTX 131025-131046



TTX COMPANY
CHICAGO, ILLINOIS

195 TON, 55 FOOT DECK
FLAT CAR

CLASS
DSH55

DATE
06-19-09

REV
H

7225