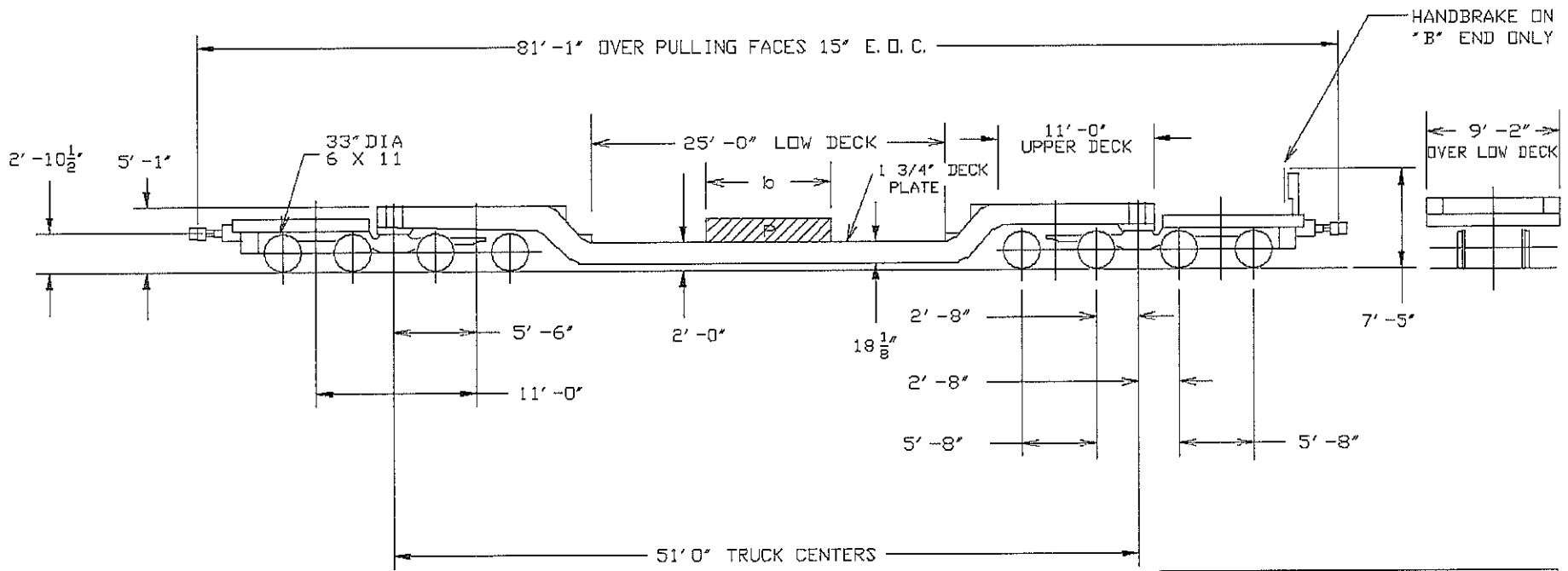


2'-0" DECK HEIGHT ABOVE RAIL IS MEASURED AT CENTER OF CARBODY, INCLUDING CAMBER, WITH A LOAD EQUAL TO 50% OF LOAD LIMIT UNIFORMLY DISTRIBUTED OVER FULL LENGTH OF DEPRESSED DECK.




MAXIMUM WEIGHT OF PARTIAL LENGTH LOADS

<u>LOAD LENGTH (FT) (b)</u>	<u>LOAD (1000 LBS) (P)</u>
2	260.8
4	266.2
6	271.7
8	277.5
10	283.5
12	289.8
14	296.4
16 & OVER	LOAD LIMIT

CAR NUMBER	LOAD LIMIT LBS	LIGHT WEIGHT LBS
130962	307,300	132,700
130963	307,000	133,000
130964	309,700	130,300
130966	308,000	132,000
AVERAGE	308,000	132,000

CAR NUMBERS QTTX 130962-130964
 CAR NUMBER QTTX 130966

-CENTER OF GRAVITY - EMPTY = 26" ATR
 -CLEARANCE PROFILE WITHIN AAR PLATE "C"

		TTX COMPANY CHICAGO, ILLINOIS	
		150 TON, 25 FOOT DECK DEPRESSED CENTER FLAT CAR	
CLASS MDH25	DATE 06-19-09	REV C	12148