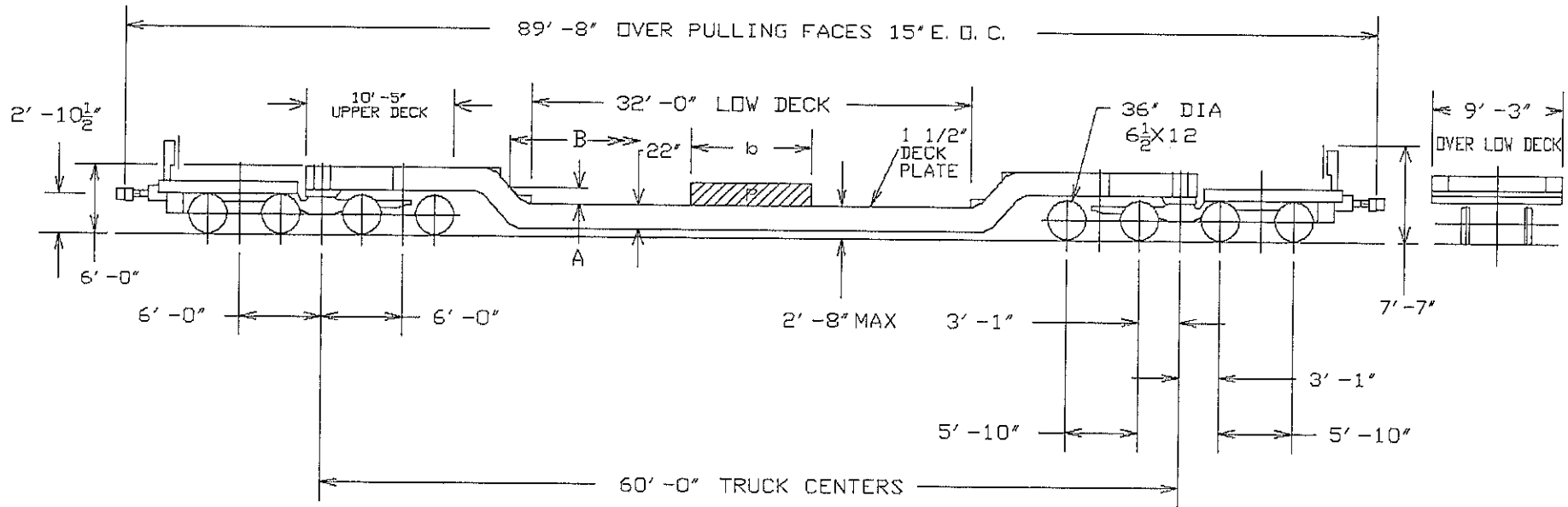


2'-8" DECK HEIGHT ABOVE RAIL IS MEASURED AT CENTER OF CARBODY, INCLUDING CAMBER, WITH A LOAD EQUAL TO 50% OF LOAD LIMIT UNIFORMLY DISTRIBUTED OVER FULL LENGTH OF DEPRESSED DECK.



BOTTOM OF LOAD ABOVE DECK A	MAX. LENGTH OF LOAD B
12"	34'-8"
18"	35'-7"
24"	36'-6"

CAR CLASS	CAR NUMBER	LOAD LIMIT LBS	LIGHT WEIGHT LBS
IDH32	130600	370,800	155,200
IDH32	130601	370,500	155,500
IDH32	130602	370,300	155,700
IDH32	130603	370,500	155,500
IDH32	130604	370,300	155,700
KDH32	130605	365,000	160,000
	AVERAGE	369,700	156,300

CAR NUMBERS QTTX 130600-130605



TTX COMPANY
CHICAGO, ILLINOIS

180 TON, 32 FOOT DECK
DEPRESSED CENTER FLAT CAR

CLASS
IDH32 & KDH32

DATE
06-19-09

REV
F

7721

CAR WILL CARRY A CONCENTRATED LOAD AT THE CENTER OF THE CAR EQUAL TO THE LOAD LIMIT

-CENTER OF GRAVITY - EMPTY = 30.2" ATR
-CLEARANCE PROFILE WITHIN AAR PLATE "C"