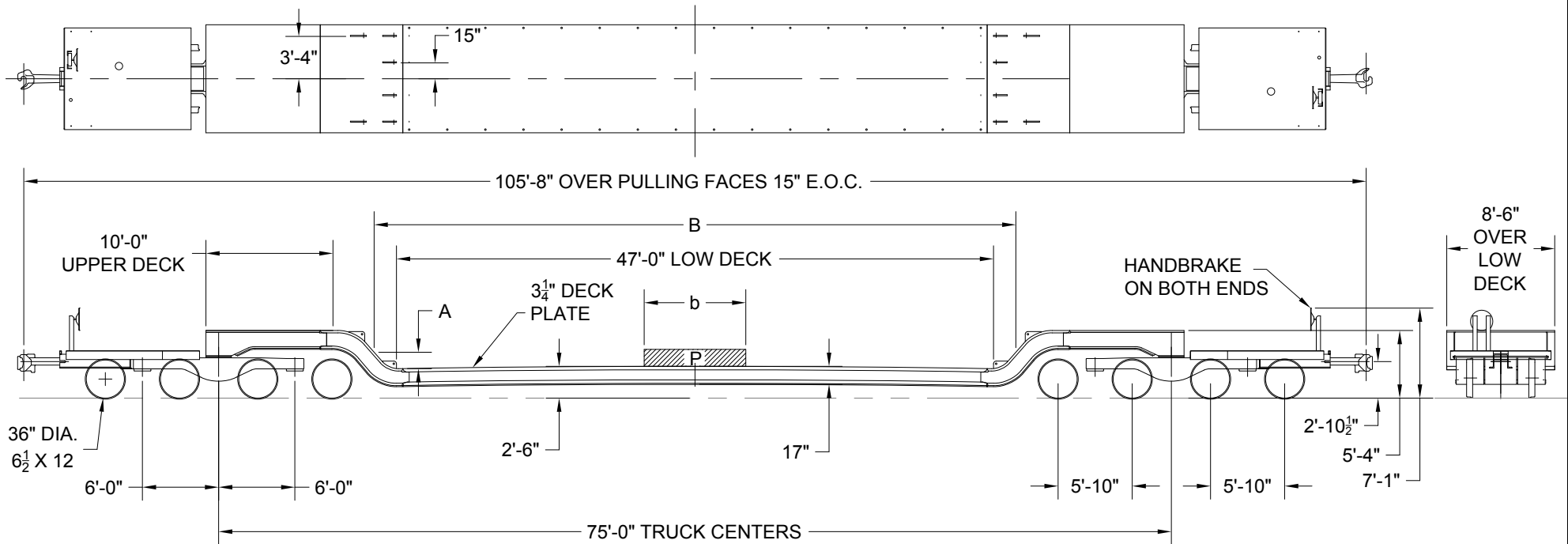


2'-6" DECK HEIGHT ABOVE RAIL IS MEASURED AT CENTER OF CARBODY, INCLUDING CAMBER, WITH A LOAD EQUAL TO 50% OF LOAD LIMIT UNIFORMLY DISTRIBUTED OVER FULL LENGTH OF LOAD DECK.



MAXIMUM WEIGHT OF PARTIAL LENGTH LOADS  
LOAD LENGTH (FT) (b)      LOAD (1000) (LBS) (P)

0	280
2	284
4	288
6	292
8	296
10	300
12	304
14	309
16	313
18	318
20	323
22	328
24	333
25	336

BOTTOM OF LOAD ABOVE DECK A	MAX. LENGTH OF LOAD B
12"	49'-10"
18"	50'-8"
24"	51'-4"

CENTER OF GRAVITY - EMPTY = 28" ATR

CLEARANCE PROFILE WITHIN AAR PLATE  
"C" BY 7" AT UNDERSIDE OF 3 1/4" TOP DECK

CAR NUMBER	LOAD LIMIT LBS.	LIGHT WEIGHT LBS.
130504	336,000	236,000

CAR NUMBER QTTX 130504

<b>TTX</b>		TTX COMPANY CHICAGO, ILLINOIS	
170 TON, 47 FOOT DECK DEPRESSED CENTER FLAT CAR			
CLASS KDH47	DATE 08-05-96	REV D	10576