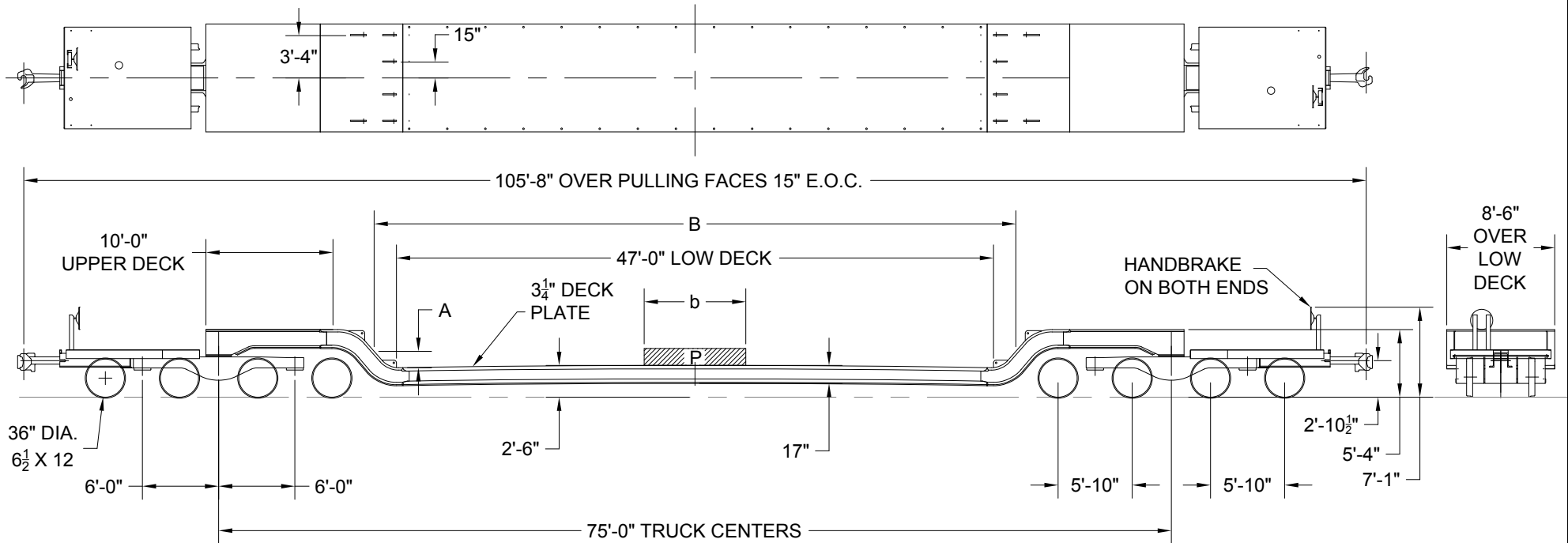


2'-6" DECK HEIGHT ABOVE RAIL IS MEASURED AT CENTER OF CARBODY, INCLUDING CAMBER, WITH A LOAD EQUAL TO 50% OF LOAD LIMIT UNIFORMLY DISTRIBUTED OVER FULL LENGTH OF LOAD DECK.



MAXIMUM WEIGHT OF PARTIAL LENGTH LOADS
LOAD LENGTH (FT) (b) LOAD (1000) (LBS) (P)

0	280
2	284
4	288
6	292
8	296
10	300
12	304
14	309
16	313
18	318
20	323
22	328
24	333
25	336

BOTTOM OF LOAD ABOVE DECK A	MAX. LENGTH OF LOAD B
12"	49'-10"
18"	50'-8"
24"	51'-4"

CENTER OF GRAVITY - EMPTY = 28" ATR

CLEARANCE PROFILE WITHIN AAR PLATE
"C" BY 7" AT UNDERSIDE OF 3 1/4" TOP DECK

CAR NUMBER	LOAD LIMIT LBS.	LIGHT WEIGHT LBS.
130504	336,000	236,000

CAR NUMBER QTTX 130504

TTX		TTX COMPANY CHICAGO, ILLINOIS	
170 TON, 47 FOOT DECK DEPRESSED CENTER FLAT CAR			
CLASS KDH47	DATE 08-05-96	REV D	10576