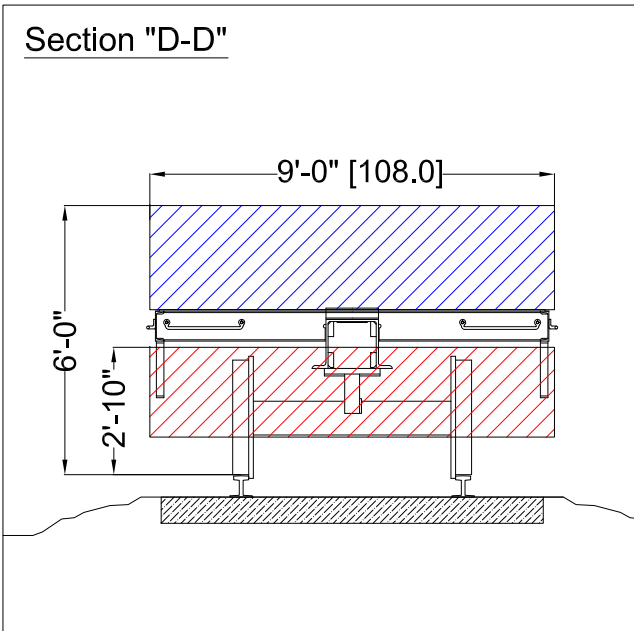


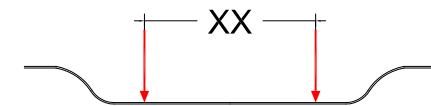
Section "D-D"



20 Wheels - 33" Dia
 10 Axles - 7" x 12
 with roller bearing
UNDERFRAME DESIGNED FOR
LOAD LIMIT OF 512,000 Lbs
 WIDTH OVER LOADING PLATFORM 9'-0"
 CAR WILL NEGOTIATE 150' RADIUS CURVE
 APPROXIMATE UNDERFRAME DEFLECTION DUE TO
 LOAD LIMIT - 2-5/8" @ CENTER
 SPRING DEFLECTION DUE TO LOADED CAR - 1"
 DECK HEIGHT ATR: Unloaded: 36" Loaded: 34"***

Car No.	LT WT	LD LMT
40003	218,500	512,000 *
40011	223,900	512,000 *

* SEE DECK LOAD LIMIT CHART
 ** With 345,000 Lbs Load



Distance Between Loading Points	Permissible Lading (Lbs)
0'-0"	337,600
2'-0"	348,600
4'-0"	362,400
6'-0"	376,200
8'-0"	391,100
10'-0"	407,200
12'-0"	424,700
14'-0"	443,800
16'-0"	464,700
18'-0"	487,700
19'-0"	Load
And over	Limit



Contractor's Cargo Company
 Compton, CA
 Tel: (301) 609 1957
 Houston, TX
 Tel: (281) 456 9000
 www.contractorscargo.com



HLI Rail & Rigging, LLC
 Managed Rail Fleet
 10330 S-Lake Road
 Houston, TX 77070
 Tel: (281) 826 0009
 Fax: (281) 826 0094
 www.hli.us.com

Drawn By:	HLIC
Date:	03/10/2011
Scale:	NONE
Dwg #:	400311H-00-10

CCRX 40003
CCRX 40011

Depressed Deck 10 Axle Rail Car